

IntelliCOAT®

Automation and Process Control

IntelliCOAT® is the world's first fully-automated system for the controlled application of heat shrinkable sleeves. The field friendly system provides a stepchange enhancement in the quality, consistency and productivity of field-applied coatings by means of automation. In conjunction with Canusa-CPS's PE and PP based Factory Grade™ coating materials, the IntelliCOAT® system is able to deliver a seamless, high-performance, three-layer anti-corrosion coating system for the entire length of a pipeline.

Quality

- IntelliCOAT® automates best practice installation techniques to produce high quality field joint coating applications that are fully repeatable from joint to joint. Installation programs are developed to meet specific project needs and can be qualified through comprehensive test programs before implementation for all coating requirements during pipeline construction.

Consistency

- The IntelliCOAT® application process is precisely controlled by a PLC-based control system with closed-loop feedback control. Once the application program is qualified, operators simply lower the IntelliCOAT® coil onto the pre-positioned sleeve, and the system takes care of the rest, minimizing all possible sources of variation.

Productivity

- Using IntelliCOAT®, a contractor can precisely forecast the daily field joint coating productivity, without reliance on operators to conduct any labour-intensive work steps. The application time per joint is pre-set at the qualification stage so production can proceed on schedule.

Safety

- The IntelliCOAT® system delivers enhanced operator safety through its enclosed heating design and rapid heat up and cool down times. IntelliCOAT® eliminates the need for gas storage facilities and the open flames associated with conventional field joint coating application methods.



Applications



Oil & Gas



Onshore Pipelines



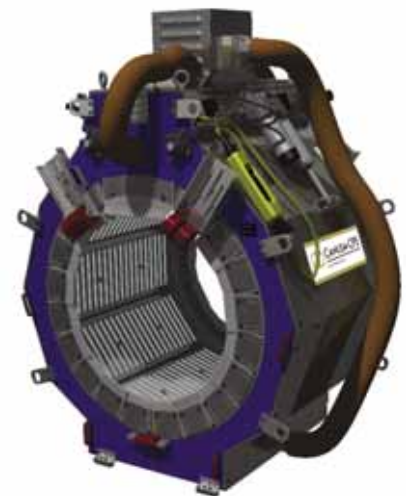
Offshore, Reel, J & S Lay



High Temperature



Factory Grade



IntelliCOAT®

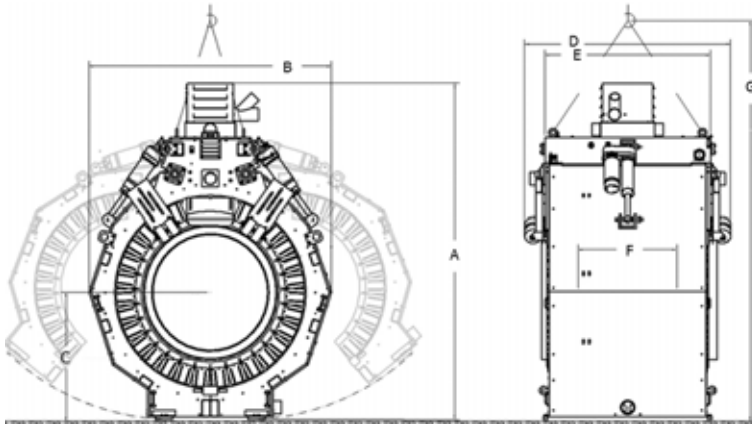
Automation and Process Control

IntelliCOAT® Control Panel Specifications

Property	Units	Value
Maximum Power Rating	kW	175
Voltage (3-Phase)	V	380
Maximum Current Rating	A	265
Frequency	Hz	50-60
Operating Temperature Range (Ambient Conditions)	°C	-30 to +55
Height	mm	1735
Width	mm	1620
Depth (with Stand)	mm	1320
Power Cables – Length	m	10
Umbilical Cables – Length	m	15
Weight	kg	410
Weight – Umbilical Cables	kg	85
Control Panel Enclosure Rating	-	NEMA 3R / IP42
Electrical Certification Standard	-	CE / UL / CSA



IntelliCOAT® Coil Specifications



Nominal System Size			8.625"	14"	16"	20"	26"	32"	36"	42"	48"	56"
ØP	Pipe Diameter (Min)	in	4.5	8.625	12.75	16	20	28	30	38	44	52
ØP	Pipe Diameter (Max)	in	8.625	14	16	20	26	32	36	42	48	56
ØC	Coil Internal Diameter	mm	345	500	575	655	800	965	1,075	1,205	1,420	1,560
A	Height (Open/Closed)	mm	1,325 / 1,415	1,440 / 1,570	1,540 / 1,690	1,565 / 1,720	1,695 / 1,870	1,810 / 2,005	1,955 / 2,170	2,035 / 2,275	2,230 / 2,515	2,320 / 2,630
B	Width (Open/Closed)	mm	1,215 / 835	1,540 / 990	1,645 / 1,025	1,825 / 1,140	2,135 / 1,290	2,460 / 1,470	2,605 / 1,530	2,900 / 1,695	3,295 / 1,875	3,610 / 2,050
C	Min Distance to Centreline of Pipe	mm	510	580	605	655	730	805	855	935	1,010	1,110
D	Depth (Top) – Maximum	mm	1,250	1,250	1,250	1,250	1,250	1,250	1,250	1,250	1,250	1,250
E	Depth (Top) – Frame	mm	1,005	1,005	1,005	1,005	1,005	1,005	1,005	1,005	1,005	1,005
F	Heating Width	mm	810	810	810	810	810	810	810	810	810	810
G	Sling Height	mm	1,790	1,945	2,065	2,095	2,245	2,380	2,540	2,650	2,890	3,005
-	Weight	kg	175	200	225	250	285	340	380	420	505	575
-	Power Rating (Coil)	kW	68	91	102	113	136	141	155	169	159	174
-	Current Rating (Coil)	A	104	138	156	173	208	215	236	258	243	265

Since 1967, Canusa-CPS has been a leading developer and manufacturer of specialty pipeline coatings for the sealing and corrosion protection of pipeline joints and other substrates. Canusa-CPS high performance products are manufactured to the highest quality standards and are available in a number of configurations to accommodate many specific project applications.

The product information shown here is intended as a guide for standard products.

Consult your Canusa representative for specific projects or unique applications.

Canusa-CPS A division of Shawcor Ltd.

Head Office

25 Bethridge Road
Toronto, ON, Canada M9W 1M7
Tel: +1 416 743 7111
Fax: +1 416 743 5927

Canada

Dome Tower St. 2200, 333-7th Avenue SW
Calgary, AB, Canada T2P 2Z1
Tel: +1 403 218 8207
Fax: +1 403 264 3649

Americas

5875 N. Sam Houston Pkwy W., Suite 200
Houston, TX, USA 77086
Tel: +1 281 886 2350
Fax: +1 281 886 2353

Middle East

Plot # 37-WR43, Sector no.: ICAD III
Musaffah South, PO Box 2621
Abu Dhabi, The United Arab Emirates
Tel: +971 2 204 9800

Europe, Africa & Russia

Dellaertweg 9-E, Gebouw "Le Carrefour"
2316 WZ Leiden, The Netherlands (NL)
Tel: +31 71 80 802 70
Fax: +31 71 80 802 71

Asia-Pacific

101 Thomson Road, #11-03 United Square
307591 Singapore
Tel: +65 6749 8918
Fax: +65 6749 8919

Quality Management system registered to ISO 9001

PDS_IntelliCOAT™_rev013